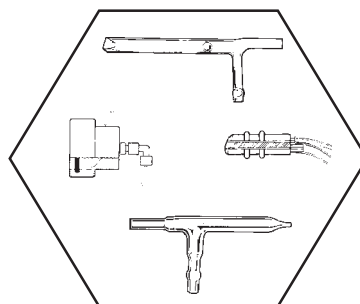


Listing of Equivalent Items available from **CHOICE ANALYTICAL** for use on VARIAN ICP instrumentation



Nebulizer Listing for Varian ICP

Choice Analytical can supply both Genuine J.E. MEINHARD Nebulizers as well as a "Clone" type and SPECIAL TYPES for use on Varian and other brand instruments.

VARIAN Part No.	Part No. CHOICE	Description
-----------------	-----------------	-------------

See attached pages for explanation of Descriptions and Types.

GENUINE J.E. MEINHARD ORIGINALS

	TR-30-A3	"A" Type General Purpose
	TR-30-C1	"C" Type Hi Dissolv. Solids
20-100765-00	TR-30-C2	"C" Type Hi Dissolv. Solids
	TR-30-C3	"C" Type Hi Dissolv. Solids
	TR-30-C0.5	"C" Type Hi Dissolv. Solids
	TR-50-C1	"C" Type Hi Dissolv. Solids
	TR-30-K2	"K" Type
20-100695-00	TR-30-K3	"K" Type Argon, Low Flow

For other specifications and Special Application Types e.g. Small Bore, HEN (Hi-Efficiency), HPLC-MS etc. see attached sheets.

"CLONE TYPE"

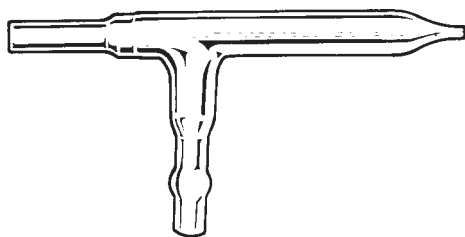
	500-75	"A" Type Flush Tip 30 Psi 1 ml/min
	500-76	"A" Type Flush Tip 30 Psi 2 ml/min
	500-77	"A" Type Flush Tip 30 Psi 3 ml/min (General Purpose)
20-100765-00	500-71	"C" Type Recessed Tip 30 Psi 2 ml/min
	500-70	"C" Type Recessed Tip 30 Psi 1 ml/min
	500-72	"C" Type Recessed Tip 30 Psi 3 ml/min
20-100695-00	500-80	"K" Type (Wear Metals) 0.7 lpm Argon 30 Psi, 3 ml/min
	500-82	"K" Type, Trace
20-100816-00	500-85	"K" Type, High Flow, AX Concentric
	500-90	"T" Type

(MDSN) Hi-Solids — SPECIAL TYPES

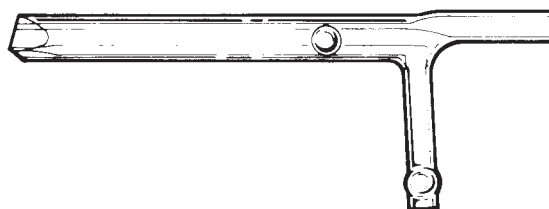
20-100964-00	500-65QDAC	Nebulizer, Aerosalt 2ml/min w/ quick-connect system
20-101068-00	500-65QDAC	Nebulizer, Aerosalt 3ml/min w/ quick connect
	500-92	Nebulizer, Fixed Cross Flow
	500-93	Nebulizer, Fixed Cross Flow Hi-Solids
	510-10	Nebulizer, Noordermeer, V-Groove, MDSN
	510-10S	Nebulizer, Noordermeer, V-Groove, 1.0 L/min at 35 Psi
99-100574-00	510-50	Babbington V-Groove, MDSN (PEEK)
	520-30	Teflon Endcap for Spray Chambers
	520-40	Teflon Endcap for Babbington Nebulizer (510-50)
	4060-69	Teflon Parallel Path Nebulizer (Burgener)
99-100574-00	800-55	High Solids V-groove Nebulizer 0.7 L/min Ar, 35 Psi

ctd. page 2

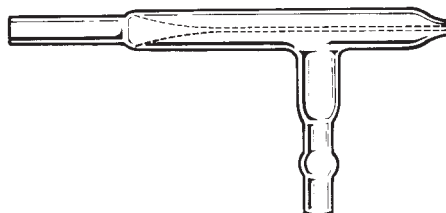
VARIAN Part No.	Part No. CHOICE	Description
Additional Items		
	520-35	Swagelok Fitting for Nebulizer Sample Inlet
	520-36	Cross-Flow Nebulizer O-Ring for 500-92 & 500-93
	520-37	Cross-Flow Nebulizer Teflon Sample Tube (2 foot = 61cm)
	520-38	Cross-Flow Nebulizer Argon Fittings for 500-92 & 500-93



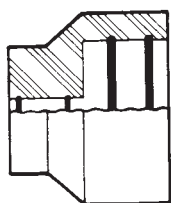
“CLONE TYPE”
 Concentric Nebulizers
 500-70 C-Type, Recessed Tip, 1mlpm
 500-71 C-Type, Recessed Tip, 2mlpm
 500-72 C-Type, Recessed Tip, 3mlpm
 500-75 A-Type, Flush Tip, 1mlpm
 500-76 A-Type, Flush Tip, 2mlpm
 500-77 A-Type, Flush Tip, 3mlpm
 500-80 K-Type, Nebulizer
 500-82 K-Type, Nebulizer, Trace



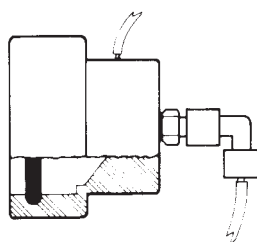
510-10 Nebulizer, Noordermeer, V-MDSN



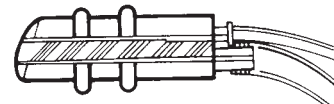
500-90 T-Type Nebulizer, Flush Tip



520-30 Teflon Endcap for Spray Chambers



500-92 Fixed Cross-Flow Nebulizer



510-50 Nebulizer, Babbington V-Groove

ctd. page 3

Varian ICP Nebulizers [w] Page 2(3) 29/10/2007



CHOICE Analytical Pty Ltd

ABN 66 052 203 719

Supplies for Laboratory Instruments

Tel : + 61 2 9980 6240

Fax : + 61 2 9980 6344

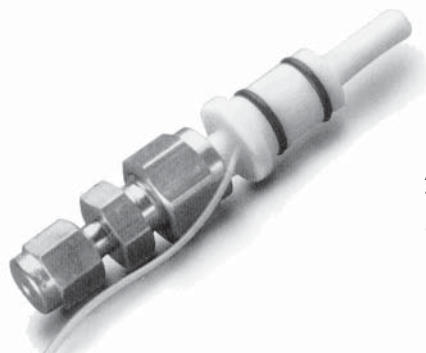
E-mail : info@choiceanalytical.com.au

Web : www.choiceanalytical.com.au

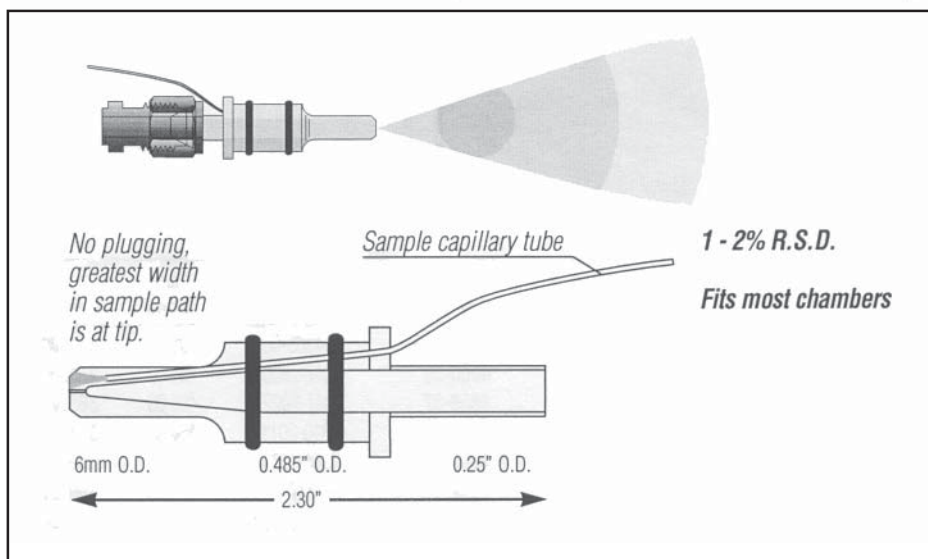
Teflon Parallel Path Nebulizer

If your present nebulizers plug or break and often need replacing during the year, consider this Teflon Parallel Path Nebulizer; a totally new concept.

This Teflon Parallel Path Burgener Nebulizer has the convenience of concentric glass nebulizers with the advantage of a unique, unrestricted sample path. The sample path has a constant diameter from the pump to the gas orifice, so there is no capillary plugging. This style of nebulizer is now OEM Equipment on TJA TraceScan analyzers, and also fits most configurations of PE, JY, ARL and Thermo ICPs.



Parallel Path Teflon Burgener Nebulizer, Choice Part No. 4060-69. Also available with a longer nose for TJA TraceScan Instrumentation, Choice Part No. 4060-694.



Enhance your analytical capabilities with a new concept in Teflon Nebulizers. This Teflon Parallel Path Nebulizer is designed with a parallel path for the gas and sample flows. This is an improvement over V-groove Teflon nebulizers – it has better flow, and is able to nebulize in any orientation. The sample flow has a constant diameter from the pump to the gas orifice, so there is no capillary plugging. Teflon is non-wetting, so salts do not form at the gas orifice. You can run high solids with no problems. Teflon is inert, allowing you to run any acid, including HF, or any solvent. It can improve your regular analysis. For the most versatile nebulizer available, this can't be matched.

OEM Part No.	Part No. CHOICE	Description
—	4060-69	Parallel Path Teflon Nebulizer, 25 to 45psi
—	4060-694	Long Nose, High Solids Teflon Nebulizer and Fittings
—	4060-691	Chamber Adapter, for open end chambers
—	4060-695	1/8" to 1/4" Adapter, with ferrules
—	4060-696	1/4" to 1/4" Adapter, with ferrules
—	4060-698	Tubing Assembly, Complete
—	4060-697	Capillary Tubing (10 feet=3 metres)
—	4060-699	Filter Material, 1 gm
—	4060-6991	Viton O-Ring, (pkt/10) for Teflon Nebulizer

Varian ICP Nebulizers [w] Page 3(3) 29/10/2007



CHOICE Analytical Pty Ltd

ABN 66 052 203 719

Supplies for Laboratory Instruments

Tel : + 61 2 9980 6240

Fax : + 61 2 9980 6344

E-mail : info@choiceanalytical.com.au

Web : www.choiceanalytical.com.au