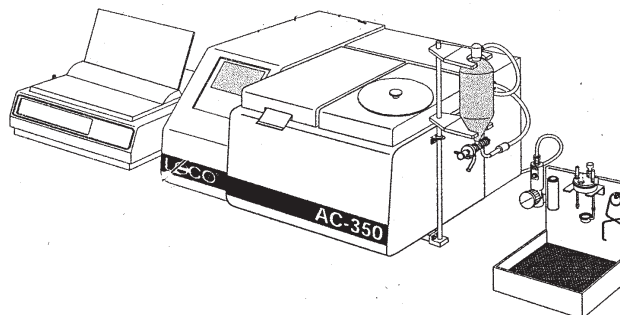


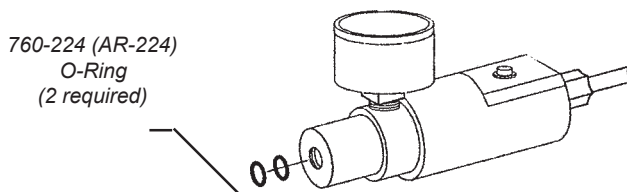
Listing of Equivalent Items
available from **CHOICE ANALYTICAL** for use on:-



LECO AC-350

Consumables Listing for LECO AC-300 and AC-350 Instruments

LECO Part No.	Part No. CHOICE	Description	Tablet	Unit of Sale
501-241	AR-241	Silicone Grease		5.3oz
502-266	AR-0012M	Fuse Wire Roll (1000 gm)		1000 gm
502-266	CA-0012	Fuse Wire Roll (25 gm) NOW SOLD ONLY in larger quantities as below		
502-266	CA-0012C	Fuse Wire Roll (100 gm)		100 gm
608-624	ARA-8624	Now see 608-624 = CA-8624		each
608-624	CA-8624	O-Ring (Previously known as ARA-8624)		each
608-671	ARA-8671	In-Line Filter for AC-350		each
760-224	AR-224	Bomb Charger O Ring for AC-350		each
773-403	AR-3403	Benzoic Acid POWDER (454 gms) for SPIKING		454gm
774-204	ARA-4204	S.S. Crucibles for Calorimeters		10/pkt
774-208	AR-0019	Benzoic Acid Tablets	0.19gm	100/btl
774-208	AR-2134C	Benzoic Acid Tablets 1.45 gm (100/btl)	1.45gm	100/btl
774-208	CA-208	Benzoic Acid Tablets 1.0 gm (10/btl) (not stocked locally in this pack size; local stocks are AR-208C only)	1.0gm	10/btl size
774-208	CA-208C	Benzoic Acid Tablets 1.0 gm (100/btl)	1.0gm	100/btl



BOMB FILL NOZZLE - O RING REPLACEMENT

Please see other pages for extensive range of Standards Australia ASCRM and Alpha Resources Inc. - USA Coal and Coke Standards.



CHOICE Analytical Pty Ltd

Supplies for Laboratory Instruments

Tel : + 61 2 9980 6240

Fax : + 61 2 9980 6344

E-mail : info@choiceanalytical.com.au

Web : www.choiceanalytical.com.au

ABN 66 052 203 719